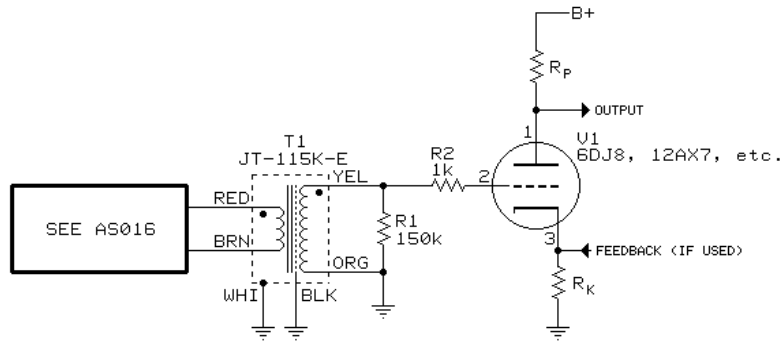


JT-115K-E TUBE MICROPHONE PREAMP GENERIC INPUT STAGE



NOTES

RESISTORS R1 AND R2 ARE $\pm 1\%$ 1/4w METAL FILM TYPES, ROEDERSTEIN MK2-1 OR EQUIVALENT

RESISTORS R_p AND R_k SHOULD BE WIREWOUND OR METAL FOIL TYPES TO REDUCE EXCESS NOISE CONTRIBUTION

ALL RESISTORS IN OHMS (6k81 = 6.81k, 68r1 = 68.1)

RESISTOR R2 SHOULD BE MOUNTED AS CLOSE AS POSSIBLE TO U1 TO PREVENT POSSIBLE SPURIOUS VHF OSCILLATIONS

U1 SOCKET SHOULD BE HIGH QUALITY NON-HYGROSCOPIC TYPE, SUCH AS PORCELAIN, FOR LOWEST NOISE

USE OF VERY CLEAN DC POWER FOR PLATE AND HEATER IS HIGHLY RECOMMENDED

IF T1 IS NEAR A POWER TRANSFORMER, CONSIDER USING THE TRIPLE MAGNETIC SHIELDED VERSION, THE JT-115K-E90

jensen

AS020

09/14/95

7135 HAYVENHURST AVE.
VAN NUYS, CALIFORNIA 91406
(213) 876-0059

© COPYRIGHT 1992, 1995 JENSEN TRANSFORMERS, INC.