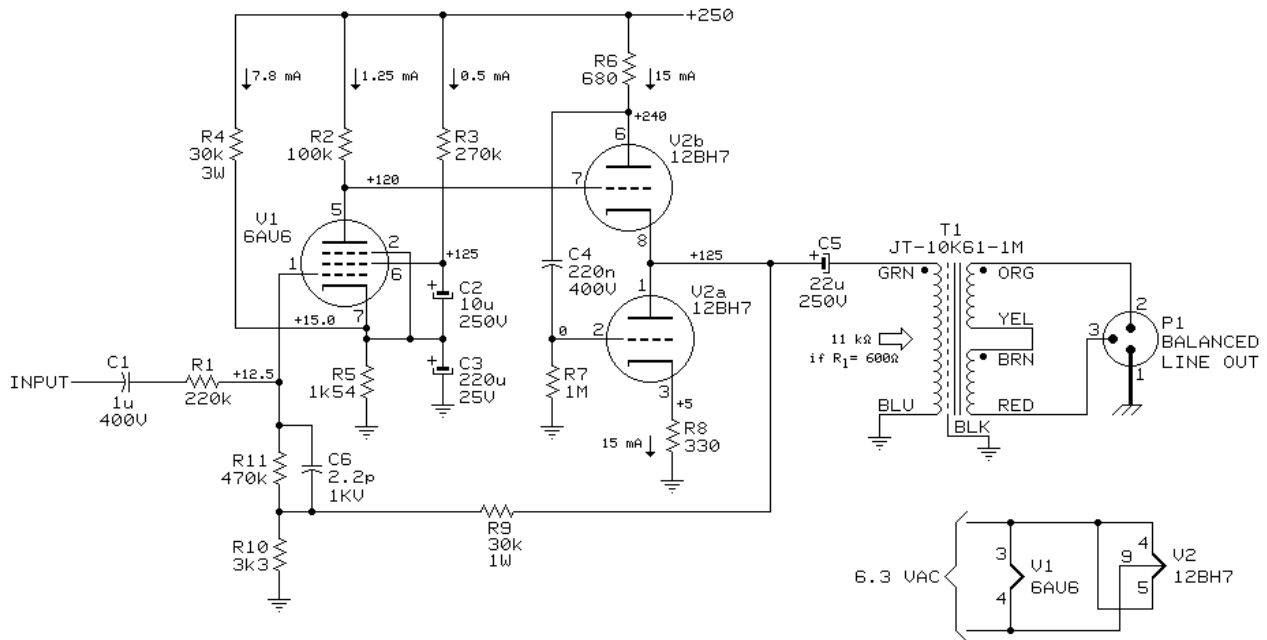


JT-10K61-1M LINE DRIVER USES PUSH-PULL VACUUM TUBE "CASCODE FOLLOWER"



NOTES

- VOLTAGE GAIN, INPUT TO LINE OUTPUT = 5.3X (14.5 dB)
- APPROX 10 V pk-pk AT INPUT PRODUCES FULL OUTPUT (APPROX +26 dBu INTO 600Ω)
- ALL RESISTORS 1/4 W METAL FILM TYPES UNLESS NOTED

© COPYRIGHT 1993, JENSEN TRANSFORMERS, INC.

jensen	AS021
	09/14/95
7135 HAYVENHURST AVE. VAN NUYS, CALIFORNIA 91406 (213) 876-0059	