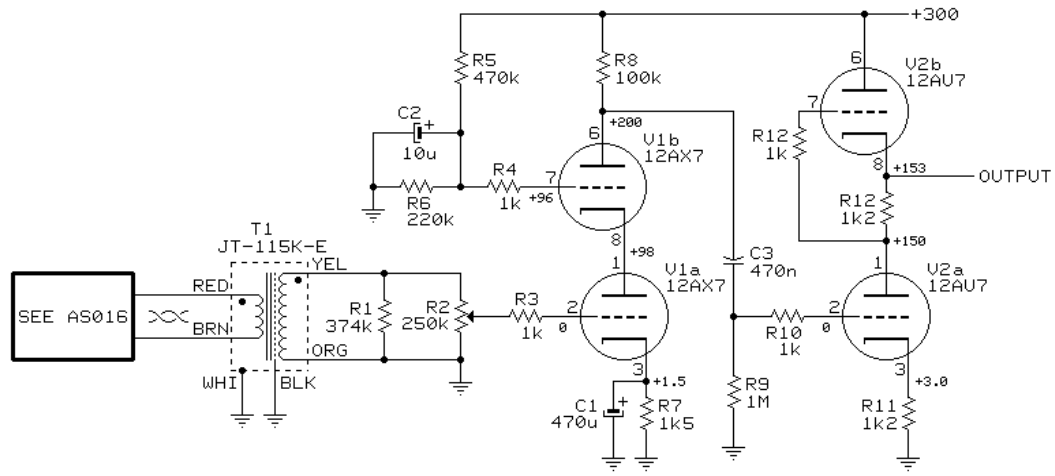


JT-115K-E CASCODE TUBE MICROPHONE INPUT STAGE



OVERALL GAIN (INCLUDING TRANSFORMER) = 5000x (74 dB) MAX
 ELECTRONIC GAIN = 550x (55 dB) MAX

NOTES

- RESISTORS ARE ±1% 1/4w METAL FILM TYPES, ROEDERSTEIN MK2-1 OR EQUIVALENT
 R8 SHOULD BE WIREWOUND OR METAL FOIL TYPE TO REDUCE EXCESS NOISE CONTRIBUTION
 1 k RESISTORS SHOULD BE AS CLOSE AS POSSIBLE TO TUBES TO PREVENT POSSIBLE SPURIOUS UHF OSCILLATIONS
- V1 SOCKET SHOULD BE HIGH QUALITY NON-HYGROSCOPIC TYPE, SUCH AS PORCELAIN, FOR LOWEST NOISE
- IF T1 IS NEAR A POWER TRANSFORMER, CONSIDER THE TRIPLE MAGNETIC SHIELDED JT-115K-E90
- USE OF VERY CLEAN DC POWER FOR PLATE AND HEATER IS HIGHLY RECOMMENDED

jensen	AS054
	03/08/95
7135 HAYVENHURST AVE. VAN NUYS, CALIFORNIA 91406 (213) 876-0059	

© COPYRIGHT 1995, JENSEN TRANSFORMERS, INC.