

DYNACO

SUPER FIDELITY OUTPUT TRANSFORMERS

	A-410	A-420	A-431 ¹ A-431-70 ² A-430-500 ³	A-441	A-451	A-470
Impedance ratio	8000 ohms ct to 8, 16 sec	6600 ohms ct to 8, 16 sec	4300 ohms ct to 4, 8, 16 sec ¹ to 4, 8, 16 and 70V ² to 125Ω or 500Ω ³	4300 ohms ct to 4, 8, 16 sec	2200 ohms ct to 4, 8, 16, sec	4300 ohms ct to 4, 8, 16 sec
Undistorted power 30 cps to 15 kc 20 cps to 20 kc	30 watts 15 watts	60 watts 30 watts	120 watts 60 watts	240 watts 120 watts	240 watts 120 watts	70 watts 35 watts
Minimum frequency response	± 1 db 6 cps to 60 kc	± 1 db 6 cps to 60 kc	± 1 db 6 cps to 60 kc	± 1 db 4 cps to 60 kc	± 1 db 4 cps to 60 kc	± 1 db 6 cps to 60 kc
Size (inches)	2-7/8 x 3 x 3-3/4 high	3-3/4 x 3-1/2 x 4-1/2 high	4 x 4-5/8 x 5 high	5-7/8 x 4-3/4 x 6 high	5-7/8 x 4-3/4 x 6 high	3-3/4 x 3-1/2 x 4-1/2 high
Mounting centers (inches)	2 x 2	2-3/4 x 2-1/4	2-3/4 x 3-7/8	4 x 3-1/2	4 x 3-1/2	2-3/4 x 2-1/4
Weight	5 lbs.	7 lbs.	14 lbs.	24 lbs.	23 lbs.	7 lbs.
Application	6V6's, EL-84's, 6AQ5's	KT-66's 5881's EL34's, or 6CA7's (IN MULLARD CIRCUIT)	6550's, KT-88's, EL34's, or 6CA7's pp par KT-66	6550's or KT-88's in powers up to 100 watts using tertiary winding for either cathode or screen feedback, pp par EL-34's or 6CA7's in powers up to 200 watts	‡ pp par 6550's, KT-88's, EL34's, or 6CA7's	EL34's, or 6CA7's pp par EL84's
Net Price (slightly higher in the West)	\$20.95	\$26.95	\$39.95 ¹ \$44.95 ² \$44.95 ³	\$59.95	\$59.95	\$26.95

All units have taps on primary windings except A-441 which has tightly coupled tertiary winding.

All units are furnished in heavy gauge steel cans with 12" color coded leads and steel mounting studs with mounting hardware.

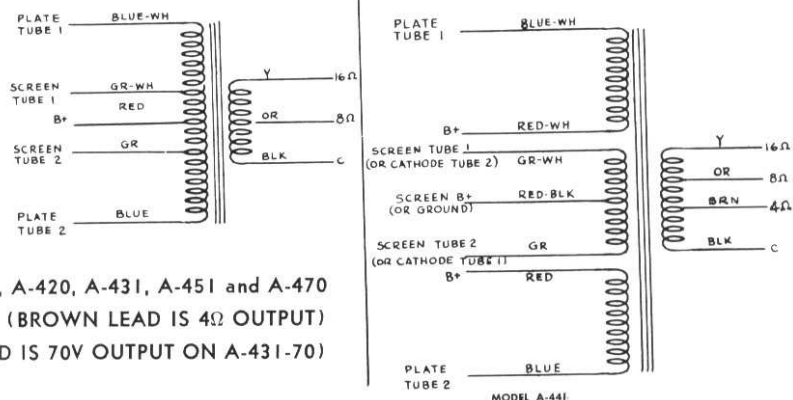
Units are conservatively designed and can handle twice the dc current of the tube types recommended for use. Neither overloads nor any amount of unbalanced operation will harm the transformers. For optimum low distortion reproduction, the dc balance should be kept within 10%.

P-782 power transformer as used in Dynakit Mark III 410-0-55-410, 200 ma; 5v, 3a; 6.3v, 4a. Weight 9 lbs; size 4" x 4 1/2" x 4 3/4" high; net price \$20.00. (Furnished only in vertical mounting end shell construction).

PC-706 power transformer for use with A-451 in 120 watt amplifier circuit: 410-0-55-410, 400 ma; 5v, 6a; 6.3v, 8a. Weight 14 lbs. Net price \$33.00. (Furnished in vertical end shells only).

C-354 choke (200 ma) Net price \$2.80

C-492 choke (400 ma) Net price \$6.60



MODELS A-410, A-420, A-431, A-451 and A-470
(BROWN LEAD IS 4Ω OUTPUT)
(WHITE LEAD IS 70V OUTPUT ON A-431-70)