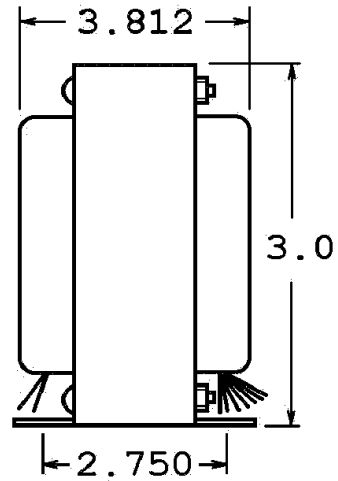
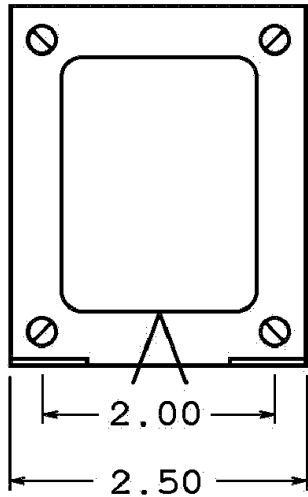


TRIODE ELECTRONICS

PA774



120 V
50/60 Hz

