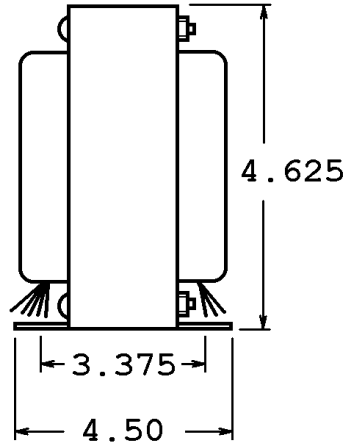
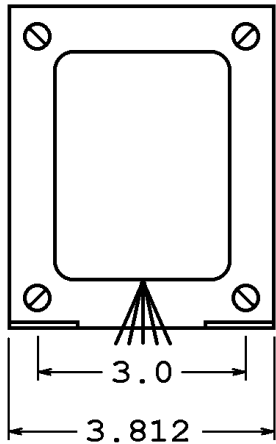
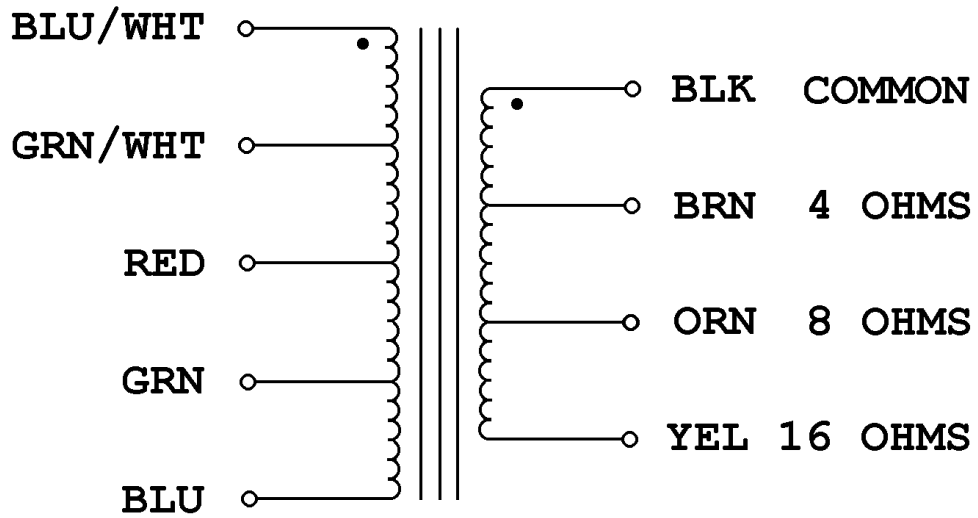


TRIODE ELECTRONICS

A-431-S



4300 OHMS CT



60 WATTS